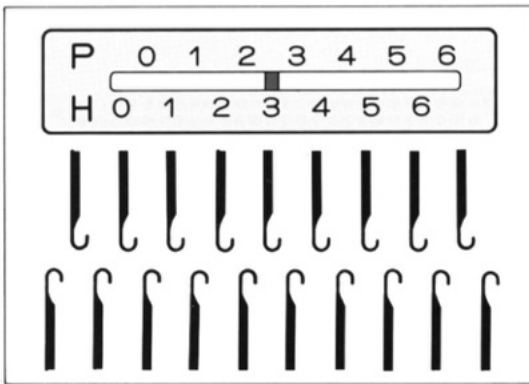


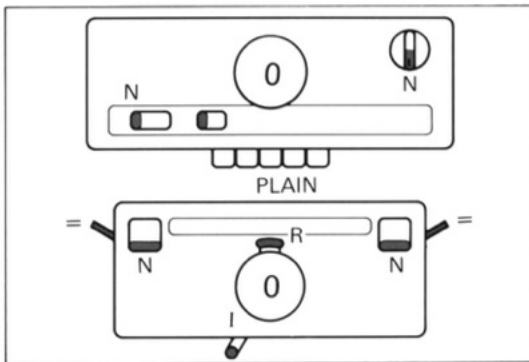
- Cancel the working of end needle selection mechanism referring to p.42 of the instruction manual for KH-260.



CASTING-ON FOR DROP STITCH PATTERN

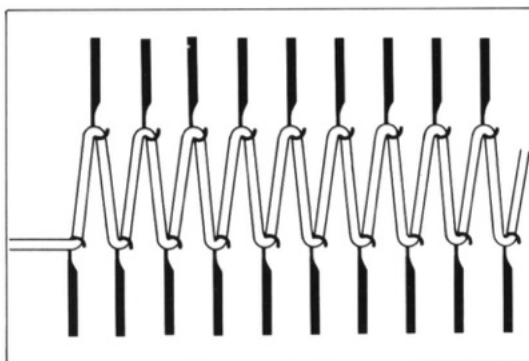
1 Needle arrangement

Set the Racking indicator to H3.
 Arrange the plain and purl needles in B position of each bed.
 Note: Both end needles must be purl needles.



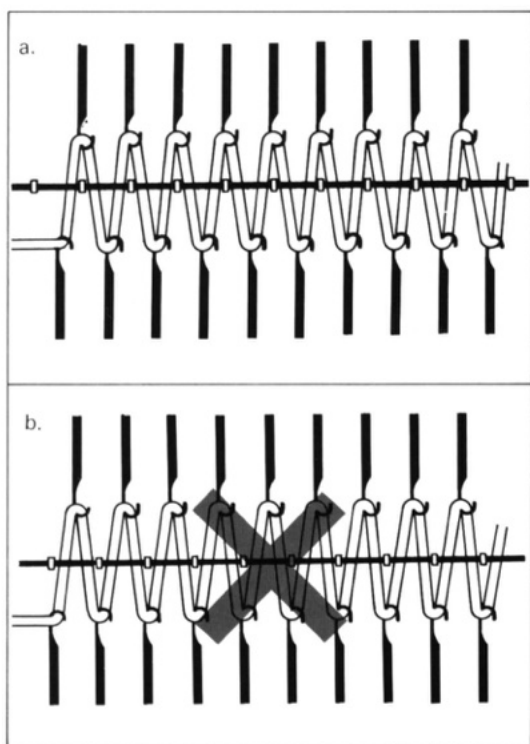
2 Setting of carriage

Set the carriages as shown in the Fig. Move the connected carriage a few times over all arranged needles to set them in a line. Then, place the carriage at right end of the bed.



3 First row knitting

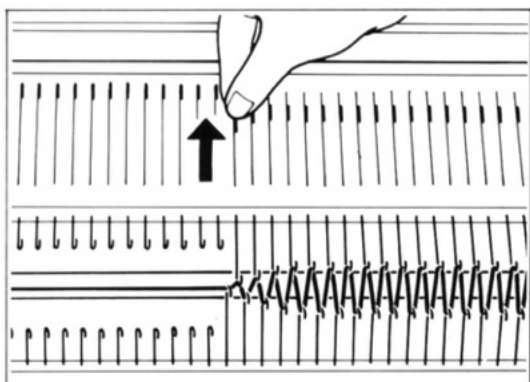
Thread the yarn into the yarn feeder. Move the connected carriage from right to left. (The yarn will hang on plain and purl needles.)



4 Hang on the cast-on comb

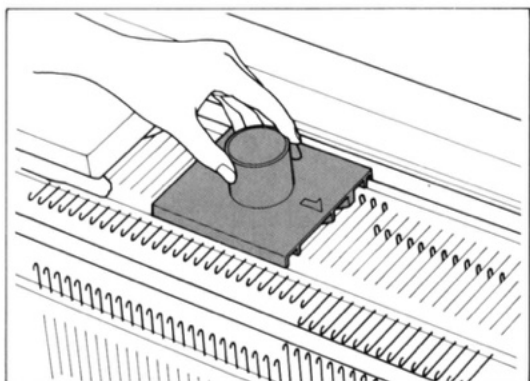
Hang on the cast-on comb as shown in the Fig.

Note: When knitting Drop stitch pattern, hang the cast-on comb correctly as shown in the Fig. a. If the cast-on comb is not hung correctly (Fig. b), the cast-on comb will be dropped off when using the D-Slider.

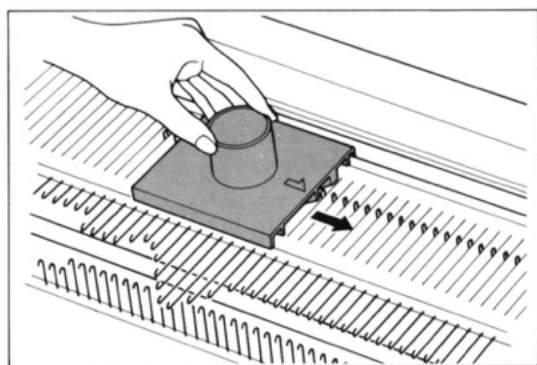


5 D-Slider

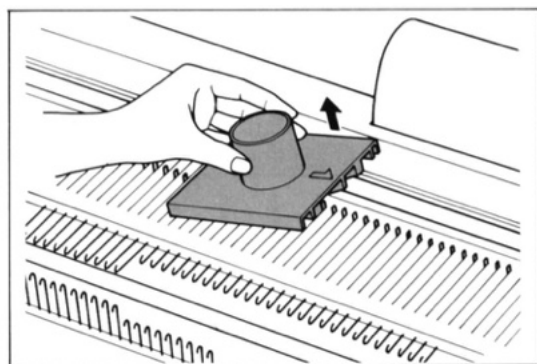
① Make sure that the arranged needles are in B position of each bed.



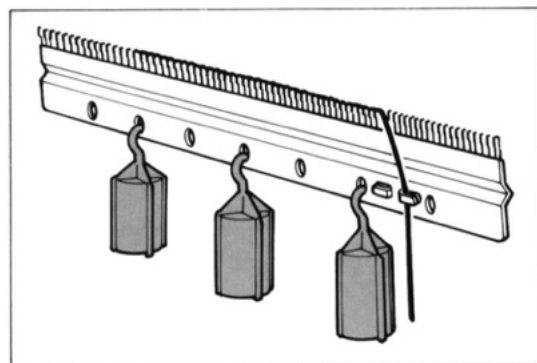
② Place D-Slider outside of the working needle on your left side.



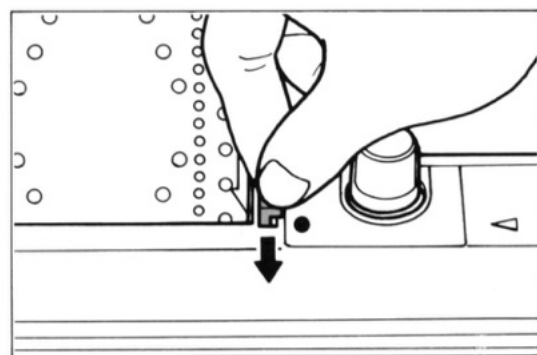
- ③ Then slide it from left to right pressing it down gently.
(Stitches on the KH bed drop off.)



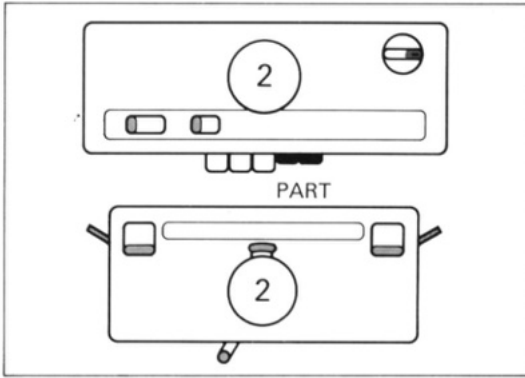
- ④ Lift up D-Slider to remove it.
* Operate D-Slider only from left to right.



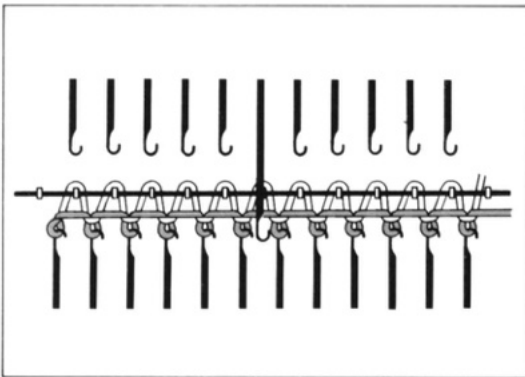
- 6 Hang on the weights**
Hang more weights than usual.



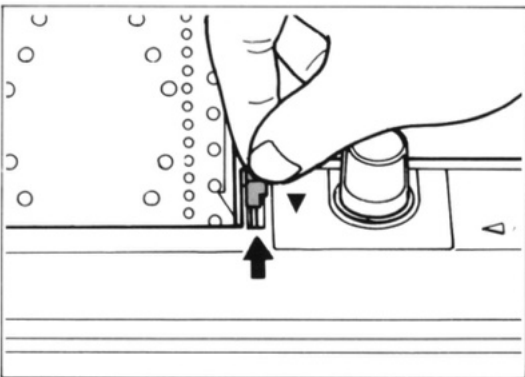
- DROP STITCH PATTERN KNITTING**
7 Insert card and lock on row 1.
Rotate card to Set Line. Then set the Card Lock Lever to the "●" mark.



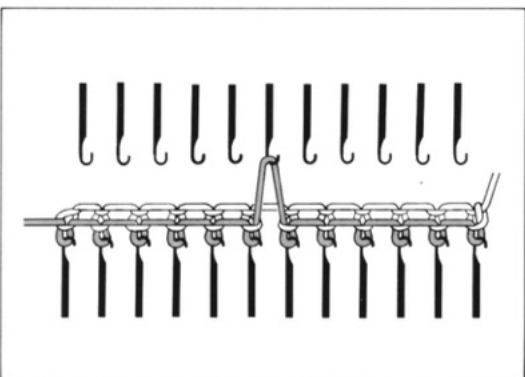
8 Set the carriages as shown in the Fig.



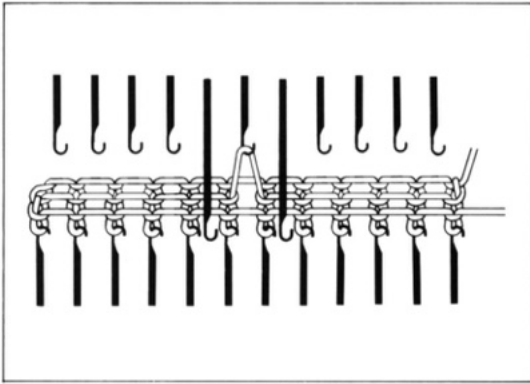
9 Move the connected carriage from left to right. (Needles of KR knit and needles of KH are only selected.)



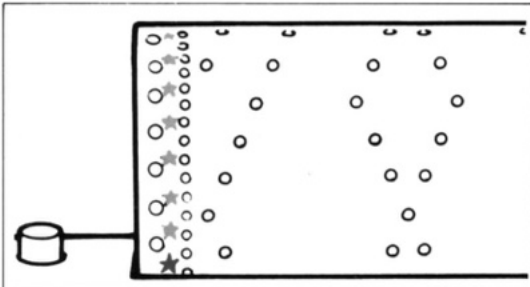
10 Set the Card Lock Lever to the “▼” mark.



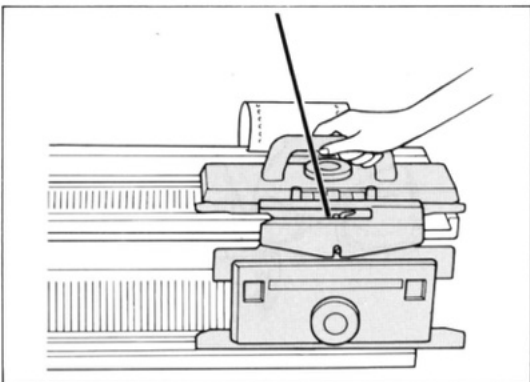
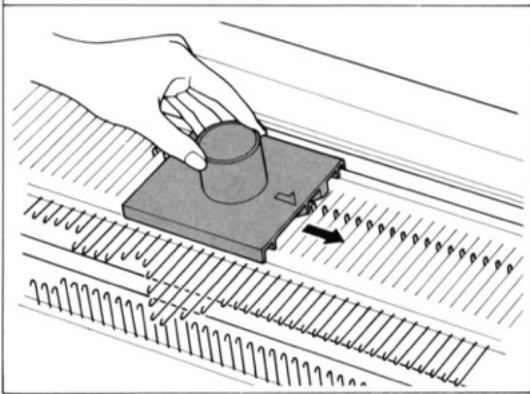
11 Move the connected carriage from right to left. (Needles of KH and KR knit.)



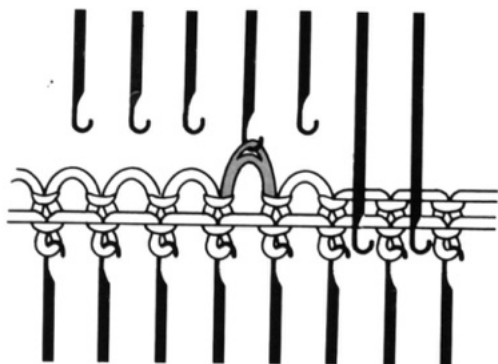
12 Knit several rows until the asterisk of the Punch Card comes to the set line.



13 When the asterisk of the Punch Card comes to the set line, operate D-Slider as you do before.

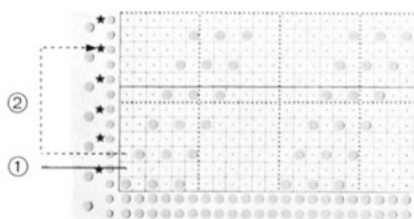


14 Repeat the step 12 – 13.



◀ NOTE ▶

- If you find some stitches are not dropped after operating D-Slider, operate it again.



- When you make own punch card for Drop stitch pattern

① Do not punch the row before the one in which you want to drop stitches.

② Write asterisk seven rows above the one in which you want to drop stitches.

